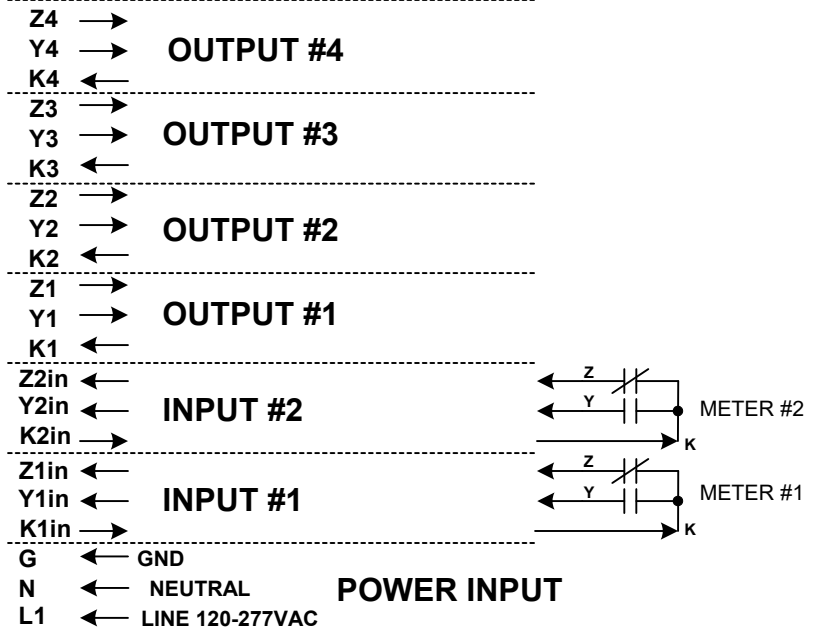
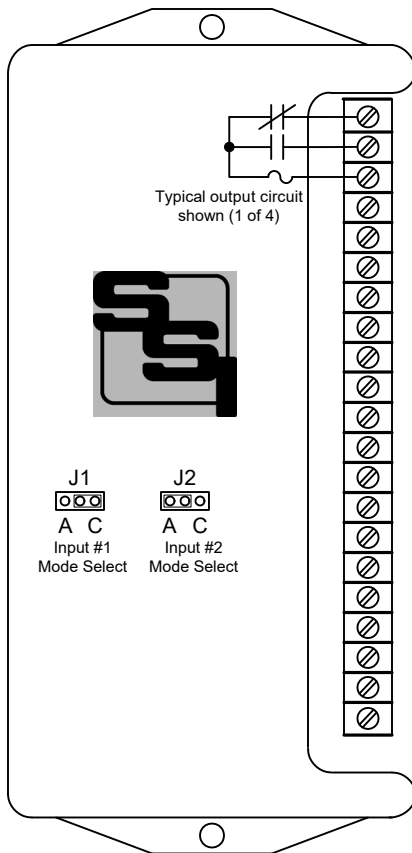


RPR-24PS B-Series

Elite Solid State

PULSE ISOLATION RELAY INSTRUCTION SHEET



MOUNTING POSITION - The RPR-24PS may be mounted in any position.

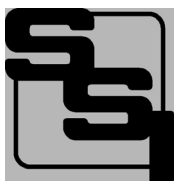
POWER INPUT - For 120 thru 277VAC, connect the AC source's Line or "hot" wire to the **L** terminal. Connect the neutral wire to the **N** terminal. Connect the **G** terminal to the electrical system ground. The power supply must be wired phase-to-neutral, not phase-to-phase. Ground **MUST** be connected.

INPUT CONNECTIONS - Connect the K terminal of each meter which is supplying pulses to the RPR-24PS' **K1in** and **K2in** terminals. Connect each meter's Y and Z terminals to the respective meter's **Yin** and **Zin** input terminals of the RPR-24PS.

INPUT TYPE SELECTION - The RPR-24PS' inputs may be configured as either 2-Wire (Form A) or 3-Wire (Form C). Selector Jumper J1 selects the configuration for INPUT #1. Selector Jumper J2 sets the configuration for INPUT #2. Place the Jumper Plug in the correct position for the input type desired: Left-to-middle pin for Form A (2-Wire), or middle-to-right pin for Form C (3-Wire).

FUSES - The fuses are type 3AG and may be up to 1/4 Amp in size. Four 1/4 Amp fuses (F1-F4) are supplied standard with the unit unless otherwise specified.

OUTPUTS - Four three-wire isolated outputs are provided on the RPR-24PS, with output terminals K1, Y1 & Z1; K2, Y2, & Z2; K3, Y3 & Z3; and K4, Y4 & Z4. Arc suppression for the contacts of the solid-state relays are provided internally. Outputs 1 and 2 are tied to Input #1. Outputs 3 and 4 are tied to Input #2



SOLID STATE INSTRUMENTS

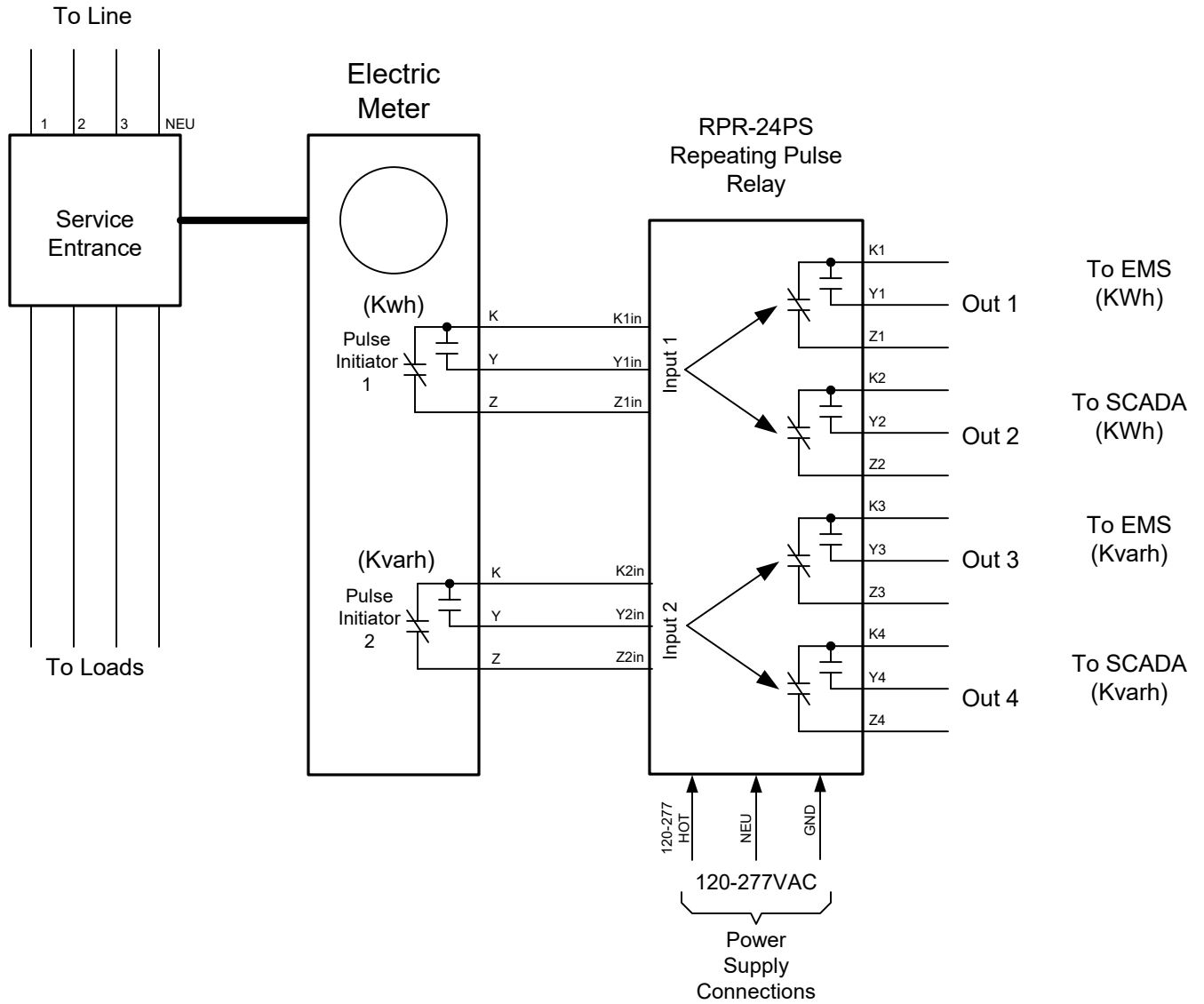
by Radian Research, Inc

3852 Fortune Dr, Lafayette, IN 47905

Phone: (765) 449-5576

Mail: technicalsupport@radianresearch.com

RPR-24PS Wiring Diagram



RPR-24PS Repeating Pulse Relay Wiring Diagram		REVISIONS		Solid State Instruments by Radian Research Inc 3852 Fortune Dr Lafayette, IN 47905 (765) 449-5576 technicalsupport@radianresearch.com www.solidstateinstruments.com
		NO.	DATE	
DATE ORIGINAL	SCALE			
1/1/2025	N/A			
LATEST REVISION	JOB NO.	CHECKED	DRAWN	
			WHB	