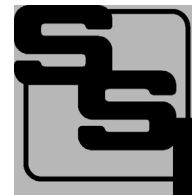
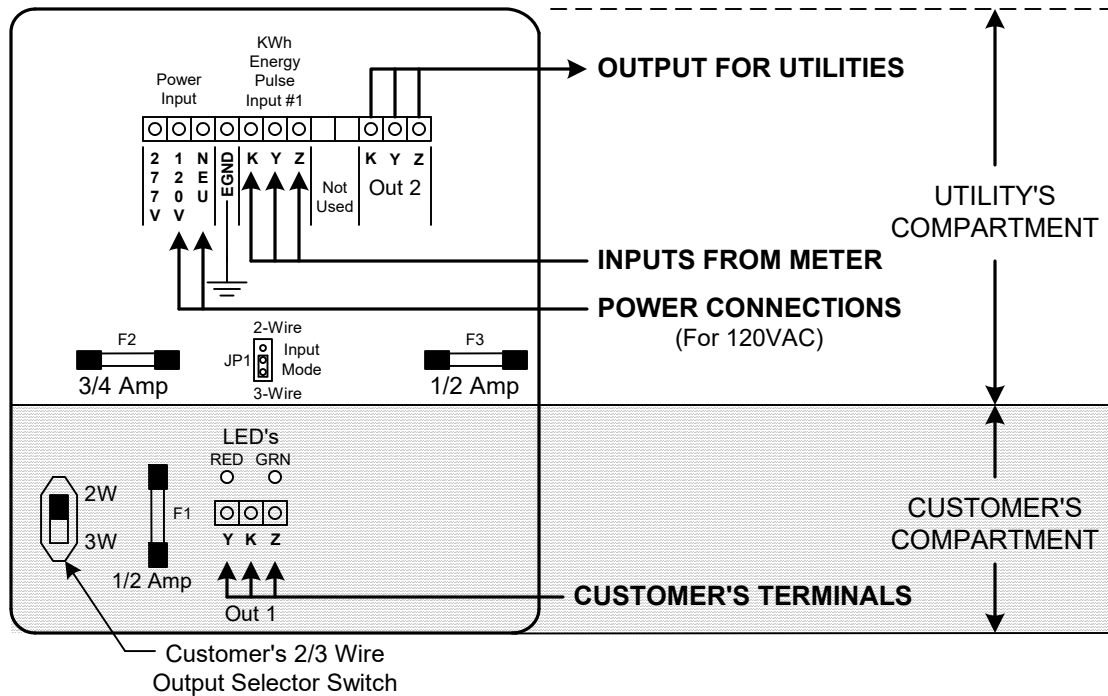


CIR-2PS+

Elite Solid State

CUSTOMER INTERFACE RELAY INSTRUCTION SHEET



MOUNTING POSITION - The CIR-2PS+ may be mounted in any position.

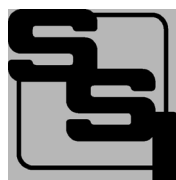
POWER INPUT - For 120VAC, use the **120V** terminal for the "hot" lead and the **NEU** terminal for the neutral power supply lead. For 208 to 277VAC, use the **277V** terminal for the "hot" lead and the **NEU** terminal for the neutral power supply lead. The **EGND** terminal **MUST** be connected to the power supply ground.

METER CONNECTIONS - Connect the K, Y, & Z leads from the meter to the **KYZ Input #1** terminals in the utility's compartment. K to K; Y to Y; and Z to Z. The CIR-2PS+ provides the +13VDC wetting (sense) voltage to the meter's KYZ terminals. The CIR-2PS+'s KYZ input may be either 2 or 3-Wire input. Place the jumper shunt on the correct pair of pins on JP1 for the input mode.

CUSTOMER OUTPUT - The customer's output is located at the bottom of the CIR-2PS+ board in the customer compartment. If the customer's output selector switch is in the 2W (2-wire) position, each change of input pulse state (K to Y or K to Z) will cause a single output pulse of 1/10 of a second (100 mS) to occur between the output terminals K & Y. If the switch is in the 3W (3-Wire) position, each K to Y closure will cause a K to Y output. A K to Z closure will result in a K to Z output. The CIR-2PS+ contains an input debouncing circuit which eliminates false pulses. If more than one K to Y input (pulse) occurs when the relay changes state, only the first pulse will be acted upon. This is also true for the K to Z input. Arc suppression for the contacts of the solid-state relay are provided internally.

UTILITY OUTPUT - The utility's KYZ output is located in the utility compartment and is a fixed 3-wire (Form C) output. Arc suppression for the contacts of the solid-state relay are provided internally.

FUSES - Fuses are 3AG fast-blow type. Fuse F2 in the utility's compartment is coordinated with the customer's fuse F1. Fuse F2 must be larger than Fuse F1. F2 is 3/4 Amp maximum, and F1 is 1/2 Amp maximum. Fuse F3 (1/2 Amp) protects the utility's output only.



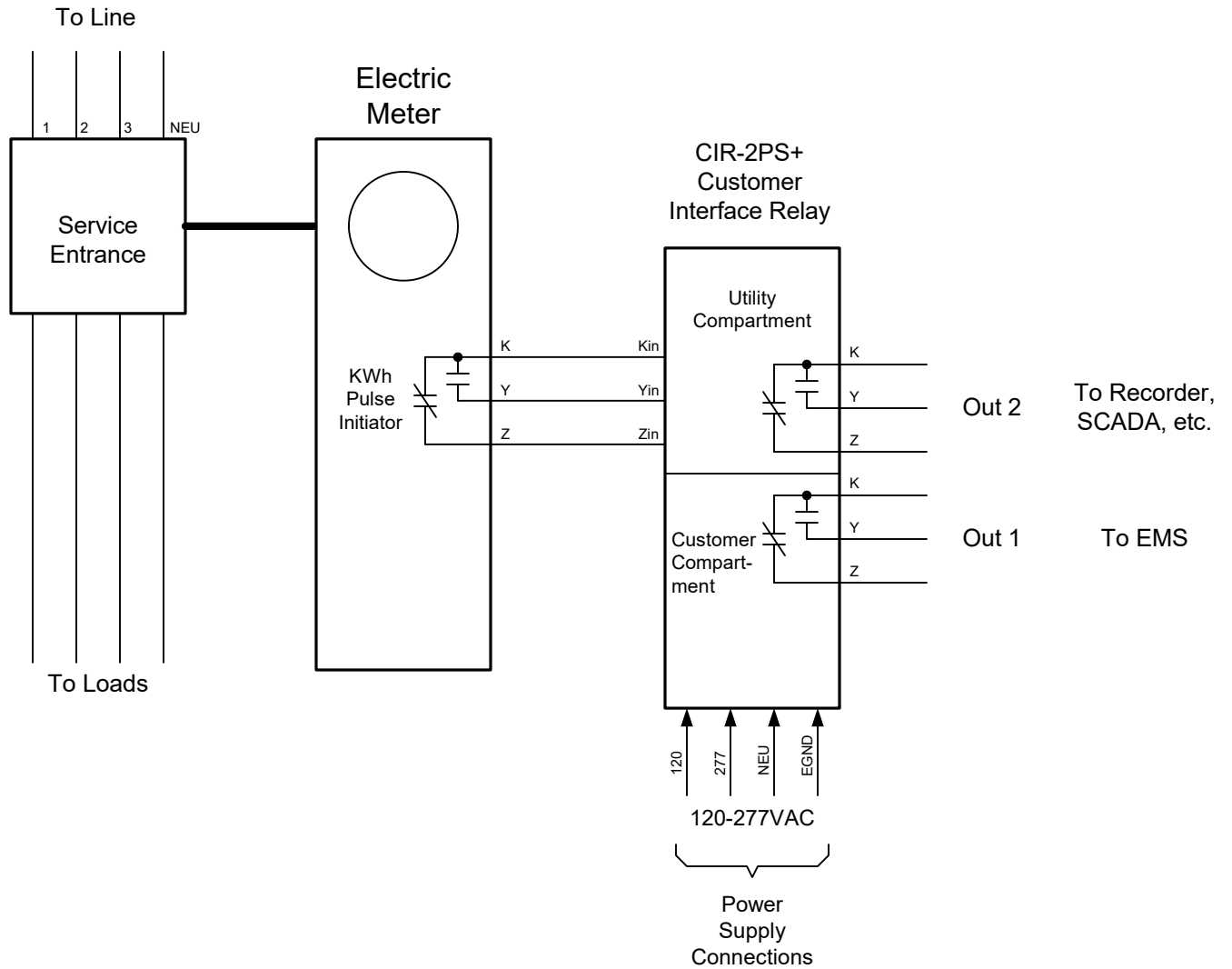
SOLID STATE INSTRUMENTS

by Radian Research, Inc
3852 Fortune Dr, Lafayette, IN 47905

Phone: (765) 449-5576

Mail: technicalsupport@radianresearch.com

CIR-2PS+ Wiring Diagram



CIR-2PS+ Customer Interface Relay Wiring Diagram		REVISIONS	
		NO.	DATE
DATE ORIGINAL		SCALE	
01/01/2025		N/A	
LATEST REVISION		JOB NO.	
		CHECKED	
		DRAWN	
		WHB	

Solid State Instruments
by Radian Research Inc
 3852 Fortune Dr
 Lafayette, IN 47905
 (765) 449-5576
technicalsupport@radianresearch.com
www.solidstateinstruments.com